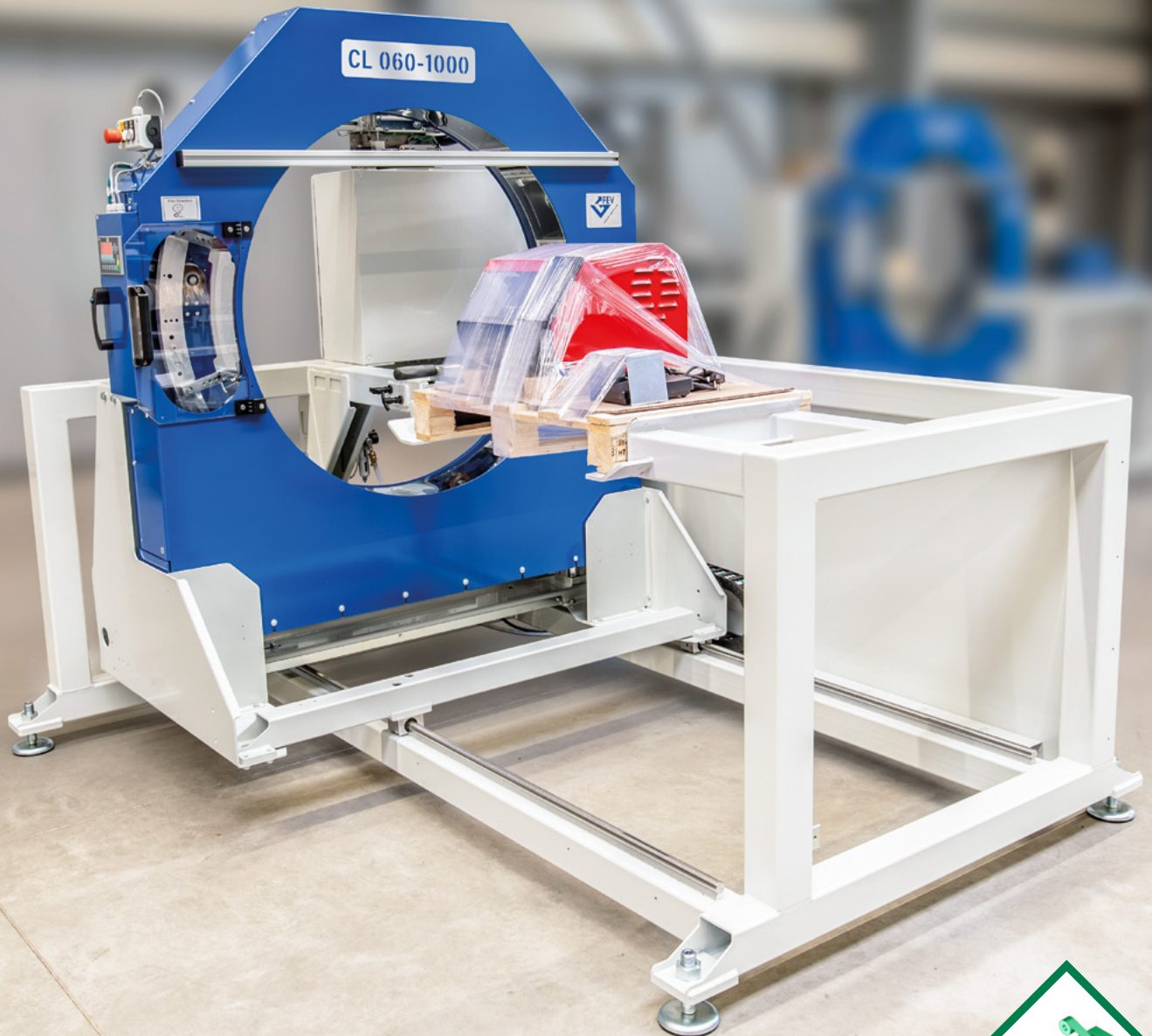
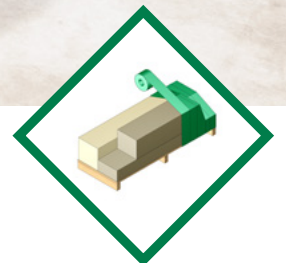


Horizontal wrapping machine **CL 060 - 1000**



For pallets and other product trays



Holding. Wrapping. Packaging.



Machine description

The **CL 060** was designed according to our sophisticated, well-established solutions for your applications, which have proven their worth in the market, and is **fully CE compliant**. It is a **manually operated Circle Line wrapping machine** that can be used for **pallets** and other **product trays**.

Parameters are entered on an operating unit. Operation is **simple and self-explanatory**. The machine has a wrapping program with an **adjustable wrapping ring speed**.

The working area for loading the pallets or other product trays is **manually adjusted to the required size**. During the wrapping process application, the machine can be **adapted to transport and shipping requirements**. The wrapping material is neatly cut by the **automatic film holder and swivel cutter**.

The continuously adjustable braking roller ensures **an even film tension** and **high product wrapping quality**.

The manually adjustable wrapping ring is mounted on **low-resistance roller guides** and is equipped with an **electric ring height adjustment system**.

Heavy products **can be loaded and unloaded by means of suitable industrial trucks** (e.g. forklift truck). Our special machine design allows for **risk-free operation** directly in the wrapping area of this modern, reliable wrapping machine.

Application:

The support and clamping brackets are **infinitely adaptable** to the pallet and product tray sizes in use and can be **locked in place with locking pins**. The pallets and trays are **securely held in place** for the wrapping process by **swivelling a clamping device** with an eccentric bearing.

After the product has been positioned, it is possible to **adjust the height of the wrapping head** to move it to the product centre. **Two keys on the operating unit are used for this purpose**. The horizontal wrapping ring axis position is indicated **by a laser line** on the product to **facilitate the adjustment process**.

Now the user pushes the wrapping head to its starting position and **starts** the wrapping drive by **pressing the push button**. By pushing the wrapping head **back and forth**, the product is **fastened on the tray** with stretch film. The user can **systematically adapt** this process to packaging requirements.

The wrapping process ends when the push button is released. The **automatic film holder** and **swivel cutter** grips the film tail and thermally **cuts the wrapping material**.

The wrapping head is pushed to its **home position** and the eccentric clamping device is opened, so that the pallet or product tray can be **freely removed**.



Equipment features

Accommodation mandrel: The basic machine can be equipped with three different film accommodation mandrels with diameters of 30, 38 or 76 mm.

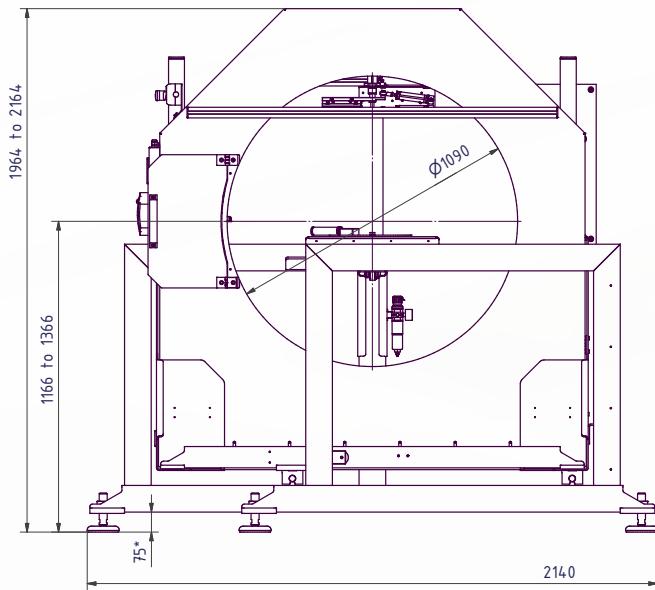
Design options

You decide based on your desired market image which special RAL colours to use for the machine supplied by us.

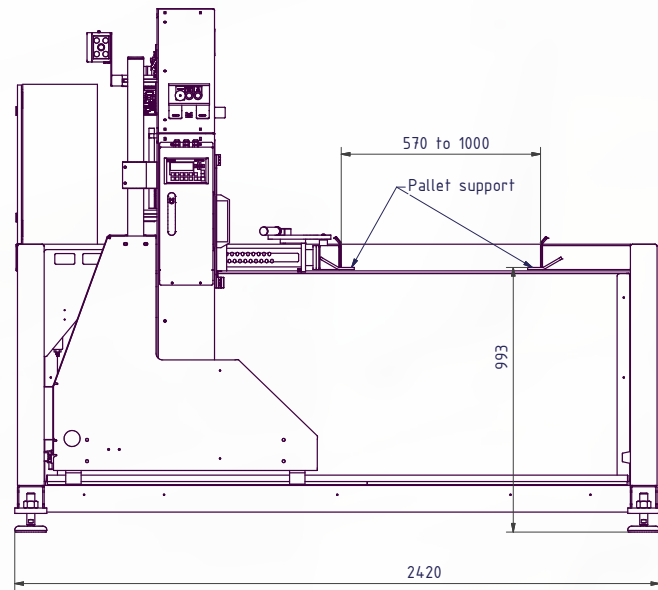
All machines from Wrapsolut can be used inline. More info under www.wrapsolut.de



Technical data for CL 060 - 1000



* adjustable between 50 mm and 105 mm



Technical changes reserved

- Operating unit for:
 - ring speed
 - ring height adjustment
 - program storage
 - automatic film holder and swivel cutter, selectable ON/OFF
 - selectable number of wrapping layers and bundling process
 - service area
- Safety closing mechanism of the film change flap

Product cross section (mm)	1000 (maximum)
Wrapping ring speed	2.4 (per second, maximum)
Film width	125 mm (maximum)
Film roll exterior Ø	220 mm (maximum)
Roll core / film accommodation mandrel	available in Ø 30 mm, 38 mm (1.5"), 76 mm (3")
Electrical connection	Mains voltage 3 x 400V+N+PE Power plug 16A / CEE Control voltage 24 VDC
Pneumatic connection (required for automatic film holder and sealing unit)	Supply pressure 6 to 12 bar Air treatment dried / oil-free Plug-in coupling, nominal diameter 7.2



Left picture: Film roll pick up unit with external brake roll

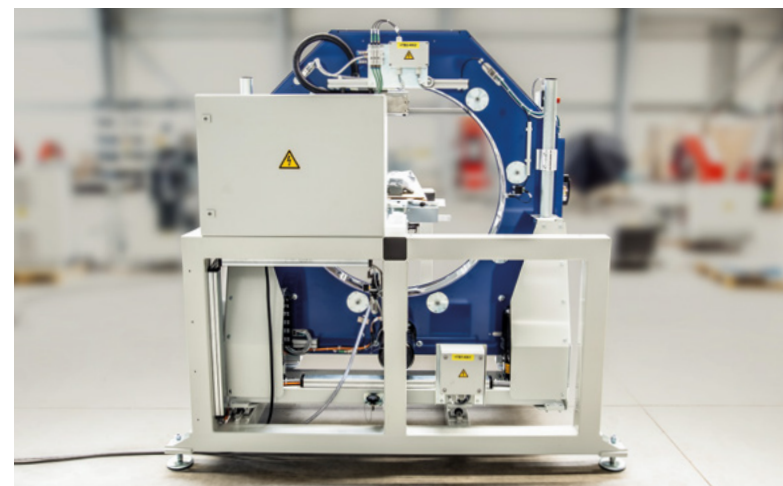
Right picture: Winding head on smooth-running guide with linear ball bearing. Power guidance in energy chain.



Our customised solutions for your industry through:

- ✓ technical consultation and project support
- ✓ machine development (mechanical and electrical)
- ✓ PLC control development and programming
- ✓ machine production and assembly
- ✓ delivery, commissioning and instruction
- ✓ reliable and quick service and delivery of spare parts

All machines from Wrapsolut can be used inline. More info under www.wrapsolut.de



Fährenkämper GmbH & Co. KG

Kampstraße 35
D-32584 Löhne

Fon: + 49 (0) 57 31 / 8 60 01-0
Fax: + 49 (0) 57 31 / 8 60 01-11

E-Mail: info@faeco.de
Internet: www.wrapsolut.de